

# Nice

Flood-Control

## Wireless water leak detector

EN - Instructions and warnings for installation and use

Nice

## 1 WARNINGS AND GENERAL PRECAUTIONS

- **CAUTION! – This manual contains important instructions and warnings for personal safety.** Carefully read all parts of this manual. If in doubt, suspend installation immediately and contact Nice Technical Assistance.
- **CAUTION! – Important instructions: keep this manual in a safe place to enable future product maintenance and disposal procedures.**
- **CAUTION! – Any use other than that specified herein or in environmental conditions other than those stated in this manual is to be considered improper and is strictly forbidden!**
- The product's packaging materials must be disposed of in full compliance with local regulations.
- Never apply modifications to any part of the device. Operations other than those specified may only cause malfunctions. The manufacturer declines all liability for damage caused by makeshift modifications to the product.
- Do not expose this product to moisture, water or other liquids.
- This product is designed for indoor use only. Do not use outside!
- This product is not a toy. Keep away from children and animals!
- If the battery is leaking and the contained material is ingested, rinse mouth and surrounding area with clear water. Seek medical attention right away.

## 2 PRODUCT DESCRIPTION

Flood-Control is a universal, Z-Wave Plus™ compatible flood and temperature sensor. The device can be powered using the battery, 12/24V DC power supply, or both. A flood alarm is sent to the Z-Wave network devices or additionally to any external system through opening an NC contact using the external power supply.

The device has built in temperature sensor that allows to monitor ambient temperature. Flood-Control is designed to be placed on the floor or mounted on a wall (in this case Flood-Control probes should be extended using addition wire). The device has a built-in visual LED indicator and an acoustic alarm.

In addition, the sensor is equipped with a tilt sensor reporting tilt or movement to the main controller e.g. when someone has taken the Sensor from its original location.

Flood-Control is sink-proof, which means it drifts on the water surface and keeps on sending alarm signal in case of substantial inundation of water.

### Main features

- compatible with any Z-Wave™ or Z-Wave Plus™ Controller,
- supports protected mode (Z-Wave network security mode) with AES-128 encryption,
- may be connected to any external system (potential free output terminal),
- extremely easy installation - simply put on a surface prone to flooding,
- may be installed anywhere - flood sensor's contacts extended with a wire,
- battery or VDC powered. When connected to an external 12/24V DC power source, the battery serves as an emergency power source,
- theft protection - tilt or moving is reported to the Z-Wave network or external system's controller,
- two operating modes - flood/temperature sensor or just a temperature sensor,
- alarm is signalled by sound, visual indicator (LED diode) and Z-Wave.

### Flood-Control is a fully compatible Z-Wave Plus™ device.

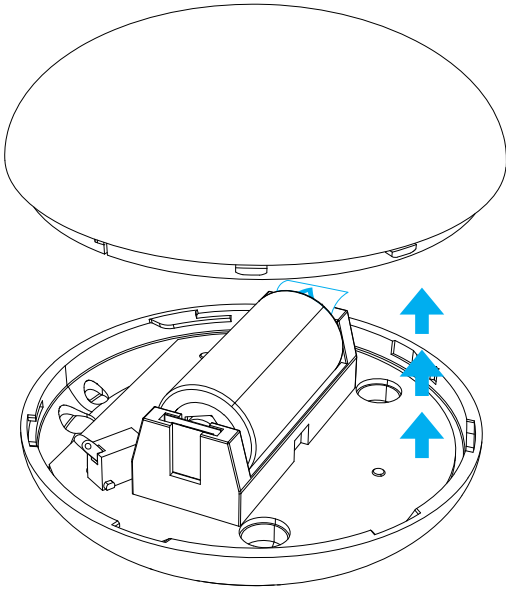
This device may be used with all devices certified with the Z-Wave Plus certificate and should be compatible with such devices produced by other manufacturers. All non-battery operated devices within the network will act as repeaters to increase reliability of the network. The device is a Security Enabled Z-Wave Plus product and a Security Enabled Z-Wave Controller must be used in order to fully utilize the product.



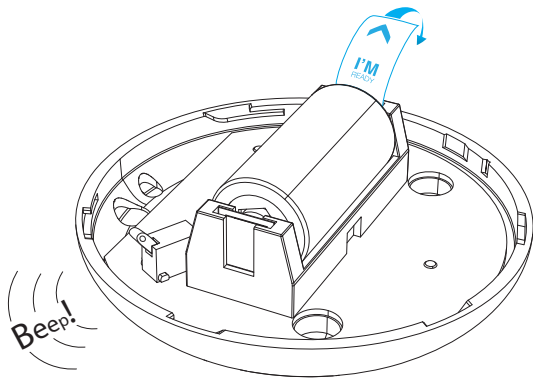
## 3 BASIC ACTIVATION

- When powered, the device will indicate Z-Wave status with colour of LED:
  - » Green - the device is already added to the Z-Wave network.
  - » Red - the device is not added to any Z-Wave network.
- After completing installation it is recommended to test sensor's operation by placing the entire sensor or its probes' extension wire onto water surface.
- When changing the sensor's location, it's recommended to wake up the device and reconfigure the Z-Wave network by triple clicking the TMP button or removing and inserting the battery.

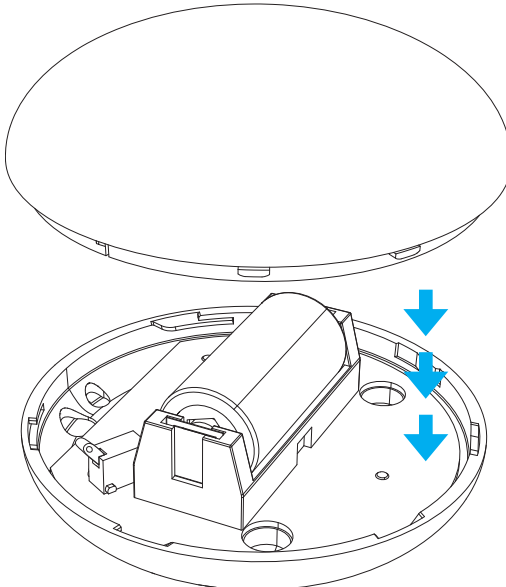
1. Turn the cover counter-clockwise and open it.



2. Remove the battery blocker.



3. Flood-Control will confirm being powered with a short beep and a LED blink.
4. Add the device.
5. Close the cover and turn it clockwise.



6. Place the sensor on a surface prone to flooding. Three electrodes underneath the device should evenly touch the surface.

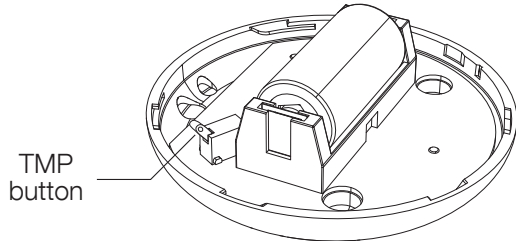
## 4 ADDING THE DEVICE

- Adding in security mode must be performed up to 2 meters from the controller.
- In case of problems with adding the device, please reset the device and repeat the adding procedure.

**Adding (Inclusion)** - Z-Wave device learning mode, allowing to add the device to existing Z-Wave network.

To add the device to the Z-Wave network **manually**:

1. Open the cover.
2. Place the Sensor within the direct range of your Z-Wave controller.
3. Set the main controller in (security/non-security) add mode (see the controller's manual).
4. Quickly, three times press the TMP button.



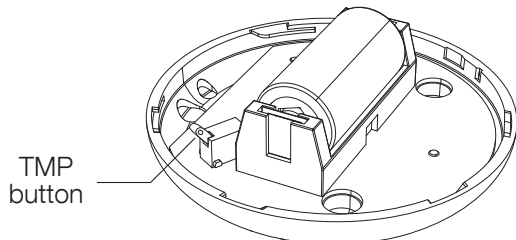
5. Wait for the adding process to end.
6. Successful adding will be confirmed by the Z-Wave controller's message.

## 5 REMOVING THE DEVICE

**Removing (Exclusion)** - Z-Wave device learning mode, allowing to remove the device from existing Z-Wave network.

**To remove the device from the Z-Wave network:**

1. Open the cover.
2. Place the Sensor within the direct range of your Z-Wave controller.
3. Set the main controller into remove mode (see the controller's manual).
4. Quickly, three times press the TMP button.



5. Wait for the removing process to end.
6. Successful removing will be confirmed by the Z-Wave controller's message.

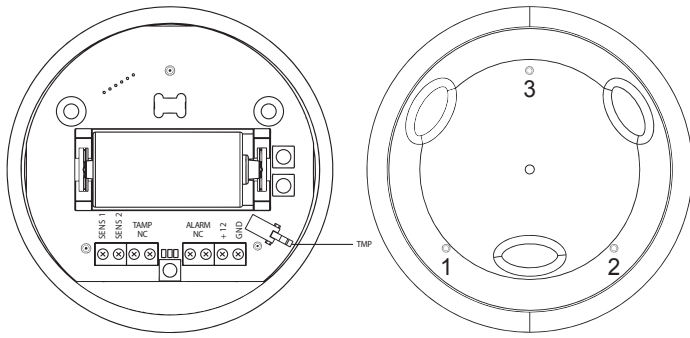
**Note.** Removing the device from the Z-Wave network restores all the default parameters of the device.

## 6 DIAGRAMS AND CONNECTIONS

**⚠ Connecting Flood-Control in a manner inconsistent with manual may cause risk to health, life or material damage.**

- Connect while observing wiring diagram shown in this manual only. Incorrect wiring may be dangerous or result in the device breakdown.
- Remember to keep the device away from water or protect holes for wires from water to avoid destroying the device.
- To prevent accidental pulling out make certain that cables are firmly attached to the wire connectors and screws are properly tightened.
- Make sure to secure the power cord after connecting it to the terminal.
- The TMP button has two functions:
  - » Adding / Removing the device to / from the Z-Wave network,
  - » Tamper contact for 4th Association Group. When a sensor is added to the Z-Wave network, cover open alarm may be activated (according to parameter 74 settings).

## 6.1 - Notes for the diagrams and probes marking



+12V - 12 / 24 VDC positive terminal

GND - negative (ground) terminal

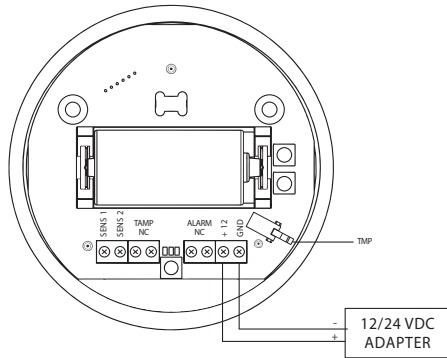
ALARM NC - potential-free Flood-Control terminals (for wired systems)

TAMP NC - potential-free tamper terminals (for wired systems)

SENS1, SENS2 - flood sensor electrodes' terminals

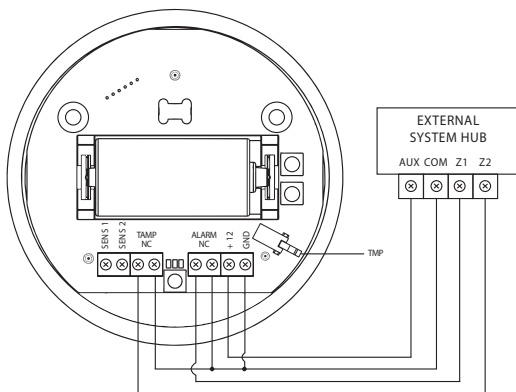
TMP - tamper button (used to add/remove the device)

## 6.2 - Connection to a constant power source



## 6.3 - Connection with external wired system

- ALARM NC and TAMP NC connectors may be used as end-of-line protective loop's terminals..

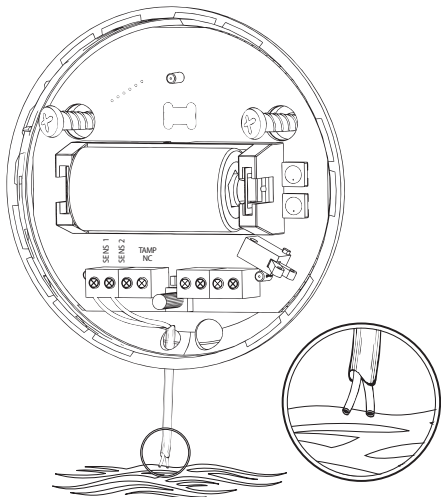


## 6.4 - Extending Flood-Control contacts with a wired probe

- Mounting screws shown in a diagram are not included in the package. Choose a screw type depending on the building material it is being attached to.
- The Sensor detects electrical conductivity between electrodes 1 and 3, 1 and 2 and electrodes connected to contacts (SENS1 and SENS2). Contacts SENS1 and SENS2 are dedicated to flood detection only. Do not connect external voltage!

If you want the device to be mounted on a wall or in a distance from flooding source, sensor should be extended using an external probe (not included).

We recommend using extension probes or cables designed to detect water. Probes ends should be coated with non-corrosive metal. Connection wires should not be longer than 3m with 18-26AWG (0.14 - 0.82mm<sup>2</sup>). It applies also to VDC power source wires.



## 7 POWERING MODES

### **⚠ Using batteries other than specified may result in explosion. Dispose of properly, observing environmental protection rules.**

- The Flood-Control will automatically exit emergency mode once 12/24 VDC at +12 and GND terminals is detected

There are two powering modes for the Flood-Control. By default it is powered by a factory included battery. In addition it can work with a constant voltage, after connecting a 12/24V DC power supply to +12 and GND terminals (see chapter 6 - Diagrams and connections).

Powering mode configuration is carried out automatically, while the device is being added into the Z-Wave network.

When battery powered, the Flood-Control communicates with the main Z-Wave controller periodically. Detected alarms are sent immediately, but the configuration parameters and associations settings will only be updated at specified wake up intervals or at manual wake up (single TMP button click).

When added to the network as a DC powered device, the device will update its associations and configurations immediately. It will also allow it to serve as a signal repeater in the Z-Wave network, which increases the chance of successful communication among devices in the same network.

### **Switching to constant voltage powering mode**

1. Remove the sensor from the Z-Wave network.
2. Connect constant voltage power source (12/24 VDC) to +12 and GND terminals in accordance with the diagrams shown in the previous chapter.
3. Add the sensor to the Z-Wave network.

The Flood-Control may operate without a battery if 12/24V power supply is connected. Installing a battery is recommended though, as it will serve as an emergency power source. When constant power fails, sensor will automatically shift to backup power mode. All reports, including flood and temperature, will be sent immediately, but it will not be possible to modify the configuration or association settings until constant power returns. In this mode Z-Wave signal repeating is not possible.

Flood-Control's battery life is estimated at about 2 years at factory default settings. Current battery level is displayed in a Z-Wave controller interface. Red battery icon means the battery needs replacement. In order to avoid triggering a tamper alarm while replacing the battery, 4th association group's associations must be deleted and configuration parameters should be restored back to default settings.

## 8 OPERATING THE DEVICE

### **8.1 - Controlling the Flood-Control using the TMP button**

Flood-Control is equipped with the TMP button, which allows performing the following actions:

- 1x click: send Wake Up notification (in battery mode), confirm selected menu option (if the menu is active)
- 3x click: add/remove the device to/from a Z-Wave network
- Holding: enter/navigate through the menu

### **8.2 - Visual indications**

Flood-Control is equipped with an LED signaling sensor's operating modes and alarms. In addition, the visual indicator may inform of the Z-Wave network range and the current temperature.

#### **Visual indicator signalling modes:**

4. The flood alarm is signaled with alternating white and blue light.
5. In battery-powered mode, with parameter no. 63 set to 1, a visual indicator will periodically show temperature readouts (depending on parameter 50, 51, 61, and 62 settings).
6. In constant powering mode, the current temperature readouts will be continuously signalled with a colour depending on parameter 50, 51, 61 and 62 settings.
7. Currently selected menu position is signalled with an illumination colour.

#### **Notes:**

- By default, flood sensor's insensitivity is set to 1 second, which means flooding will be reported one second after it's been detected.
- Tilt tamper is insensitive to little vibrations and turns. After its activation, insensitivity is turned off for 15 seconds. After that, each Sensor's movement will trigger audible alarm, consisting of 3, brief acoustic signals.

### **8.3 - Menu**

Menu allows to perform Z-Wave network actions. In order to use the menu:

1. Press and hold the TMP button.
2. Wait for the device to indicate desired position with a colour:
  - WHITE - confirmation of entering the menu
  - GREEN - cancel alarm for associated devices and the controller (only if the device is no longer flooded)
  - VIOLET - Z-Wave network's range test
  - YELLOW - full reset
3. Release the TMP button.

4. Click the TMP button to confirm selection.

### 8.4 - Waking up the Flood-Control

When in battery mode the Flood-Control needs to be woken up to receive information about the new configuration from the controller, like parameters and associations.

To wake up the sensor manually, click the TMP button located inside the housing.

The device will also wake up and update its data upon startup when added in battery mode.

### 8.5 - Resetting the Flood-Control

Reset procedure allows to restore the device back to its factory settings, which means all information about the Z-Wave controller and user configuration will be deleted.

1. Make sure the sensor is powered.
2. Press and hold the TMP button.
3. Wait for the visual LED indicator to glow yellow (4th position of the MENU).
4. Release the TMP button.
5. Click the TMP button once to confirm selection.
6. After few seconds the device will restart with factory settings, which is signalled with the red visual indicator colour and
7. an acoustic signal.

**Note.** Resetting the device is not the recommended way of removing the device from the Z-Wave network. Use reset procedure only if the primary controller is missing or inoperable. Certain device removal can be achieved by the procedure of removing described in chapter 5.

### 8.6 - Notification report

The device uses Notification Command Class to report different events.

Table A1 - Notification reports	
Notification Type	Event
Water Alarm	Water Leakage detected, Unknown Location
Home Security	Tampering, Product covering removed

**Note.** Command Class Basic value is related to the status of flood sensor (0x00 - no water, 0xFF - water detected).

## 9 ASSOCIATIONS

**Association (linking devices)** - direct control of other devices within the Z-Wave system network e.g. Dimmer, Relay Switch, Roller Shutter or scene (may be controlled only through a Z-Wave controller).

Association allows direct transfer of control commands between devices, is performed without participation of the main controller and requires associated device to be in direct range.

#### The Flood-Control provides the association of four groups:

1st Association Group – “Lifeline” reports the device status and allows for assigning single device only (main controller by default).

2nd Association Group – “Flood Control” devices in this group will be switched on or off when flood status changes (done via BASIC SET command frames).

3rd Association Group – “Flood Alarm” is assigned to the device status - devices in this group will receive notification about flood detection or cancellation. Useful for devices that can trigger alarms.

4th Association Group – “Tamper Alarm” is assigned to the TMP button and tilt sensor - devices in this group will receive a notification when the sensor is moved or the cover is taken off (which normally holds the button). Useful for devices that can trigger alarms. Functionality can be altered by parameter 74.

The Flood-Control in 2nd to 4th group allows to control up to 5 regular and 5 multichannel devices per an association group, with the exception of “Lifeline” that is reserved solely for the controller and hence only 1 node can be assigned.

It is not recommended to associate more than 10 devices in general, as the response time to control commands depends on the number of associated devices. In extreme cases, system response may be delayed.

## 10 Z-WAVE RANGE TEST

The device has a built in Z-Wave network main controller's range tester.

- To make Z-Wave range test possible, the device must be added to the Z-Wave controller. Testing may stress the network, so it is recommended to perform the test only in special cases.
- Communication mode of the device may switch between direct and one using routing, especially if the device is on the limit of the direct range.

### To perform a range test:

1. Press and hold the TMP button until the visual indicator glows violet.
2. Release the TMP button.
3. Click the TMP button once to confirm the selection.
4. The visual indicator will indicate the Z-Wave network's range (range signaling modes described below).
5. To exit the Z-Wave range test, press the TMP button briefly.

### Z-Wave range tester signalling modes:

Visual indicator pulsing green - the Flood-Control attempts to establish a direct communication with the main controller. If a direct communication attempt fails, the device will try to establish a routed communication, through other modules, which will be signalled by visual indicator pulsing yellow.

Visual indicator glowing green - the Flood-Control communicates with the main controller directly.

Visual indicator pulsing yellow - the Flood-Control tries to establish a routed communication with the main controller through other modules (repeaters).

Visual indicator glowing yellow - the Flood-Control communicates with the main controller through the other modules. After 2 seconds the device will retry to establish a direct communication with the main controller, which will be signalled with visual indicator pulsing green.

Visual indicator pulsing violet - the Flood-Control does communicate at the maximum distance of the Z-Wave network. If connection proves successful it will be confirmed with a yellow glow. It's not recommended to use the device at the range limit.

Visual indicator glowing red - the Flood-Control is not able to connect to the main controller directly or through another Z-Wave network device (repeater).

## 11 ADVANCED PARAMETERS

The device allows to customize its operation to user's needs using configurable parameters.

The settings can be adjusted via Z-Wave controller to which the device is added. The way of adjusting them might differ depending on the controller.

### Wake up interval (battery mode)

The Flood-Control will wake up at each defined time interval and always try to connect with the main controller. After successful communication attempt, the sensor will update configuration parameters, associations and settings and then will go into standby mode. After failed communication attempt (eg. no Z-Wave range) the device will go into standby mode and retry to establish connection with the main controller after the next time interval.

Setting wake up interval to 0 disables sending Wake Up notification to the controller automatically. Wake up may be still performed manually by a single TMP button click.

Longer time interval means less frequent communication and thus a longer battery life

Available settings: 0 or 60-86400 (in seconds, 1min - 24h)

Default setting: 21 600 (every 6 hours)

**Table A2 - Flood-Control - Available parameters**

Parameter:	1. Alarm cancellation delay		
Description:	Determines time period (in seconds) by which a Flood-Control will retain the flood state after the flooding itself has ceased. The sensor will keep on reporting flooding to the main controller. This parameter setting does not affect acoustic and visual alarms, which turn off immediately after flooding ceases.		
Available settings:	0-3600 (in seconds, each 1s)		
Default setting:	0	Parameter size:	2 [bytes]
Parameter:	2. Acoustic and visual signals On / Off in case of flooding		
Description:	The parameter allows for the deactivation of visual and acoustic alarms. The parameter allows for increasing battery life. Setting changes will not affect the sensor's communication with the main controller - the device will still send commands to association groups, alarms, and reports.		
Available settings:	0 - acoustic and visual alarms inactive 1 - acoustic alarm inactive, visual alarm active 2 - acoustic alarm active, visual alarm inactive 3 - acoustic and visual alarms active		
Default setting:	3	Parameter size:	1 [byte]



Parameter:	7. Requested dimming level / roller blind opening level when sending turn on / open command to 2nd association group devices		
Description:	Determines the requested "on" level to be sent to devices from 2nd association group upon flood event.		
Available settings:	1-99 - requested level 255 - turn a device on		
Default setting:	255	Parameter size:	2 [bytes]
Parameter:	9. Deactivate turning off devices in 2nd association group & alarm cancellation in 3rd group		
Description:	This setting decides whether device turn off commands and alarm cancellation notifications will be sent to devices in 2nd and 3rd association groups (respectively) Setting the parameter's value to 0 disables sending these two commands to associated devices. This means that these devices WILL NOT be informed when the flooding has ceased. It is still possible to cancel alarms in 3rd association group by choosing second (green) menu position (see section 8.2 - Visual indications).		
Available settings:	0 - alarm (flooding) cancellation inactive 1 - alarm (flooding) cancellation active		
Default setting:	1	Parameter size:	1 [byte]
Parameter:	10. Temperature measurement interval		
Description:	Time interval (in seconds) between consecutive measurements of battery level and temperature (done by built-in temperature sensor). If the temperature differs from previously reported by a value determined in parameter 12, it will be reported to the Z-Wave controller. In battery mode more significant battery level changes will be reported. Short time intervals mean more frequent communication, which results in shortened battery life. After consecutive FAILED and SUCCESSFUL communication attempts, the Sensor will go to standby mode.		
Available settings:	1-65535 (in seconds)		
Default setting:	300 (5min)	Parameter size:	4 [bytes]
Parameter:	12. Temperature measurement hysteresis		
Description:	Determines a minimum temperature change value (insensitivity level), resulting in a temperature report being sent to the main controller, according to the parameter 10 settings.		
Available settings:	1-1000 (each 0.01°C)		
Default setting:	50 (0.5°C)	Parameter size:	2 [bytes]
Parameter:	50. Low temperature alarm threshold		
Description:	The parameter stores a temperature value, below which visual indicator blinks with a colour determined by a parameter 61 settings. By default the visual indicator blinks blue.		
Available settings:	- 10000 to +10000 (each 0.01°C)		
Default setting:	1500 (15°C)	Parameter size:	2 [bytes]
Parameter:	51. High temperature alarm threshold		
Description:	The parameter stores a temperature value, above which visual indicator blinks with a colour determined by the parameter 62 settings. By default the visual indicator blinks red.		
Available settings:	- 10000 to +10000 (each 0.01°C)		
Default setting:	3500 (35°C)	Parameter size:	2 [bytes]
Parameter:	61. Low temperature alarm indicator colour		
Description:	Parameter stores RGB colour value (see Table A3 for details).		
Available settings:	0-16777215		
Default setting:	255	Parameter size:	4 [bytes]
Parameter:	62. High temperature alarm indicator colour		
Description:	Parameter stores RGB colour value (see Table A3 for details).		
Available settings:	0-16777215		
Default setting:	16711680	Parameter size:	4 [bytes]

Parameter:	63. Temperature indication using LED visual indicator		
Description:	Parameter determines visual indicator's operation. Setting to 0 turns the temperature LED indication off, saving battery life.		
Available settings:	0 - visual indicator does not indicate the temperature 1 - visual indicator indicates the temperature (blink) every Temperature Measurement Interval (parameter 10, constant current and battery) and Wake Up Interval (battery mode) 2 - visual indicator indicates the temperature continuously, only in constant power mode		
Default setting:	2	Parameter size:	1 [byte]
Parameter:	73. Temperature measurement compensation		
Description:	Parameter stores a temperature value to be added to or deducted from the current temperature measured by internal temperature sensor in order to compensate the difference between air temperature and temperature at the floor level.		
Available settings:	-10 000 to +10 000		
Default setting:	0 (0.00°C)	Parameter size:	2 [bytes]
Parameter:	74. Alarm frame sent to 1st and 4th Association Group activation (MOVEMENT_TAMPER / BUTTON_TAMPER)		
Description:	The device is able to report tamper alarms resulting from sensor's tilt/movement or TMP button state change (e.g. taking off the top cover).		
Available settings:	0 - tamper alarms inactive 1 - button tamper alarm active 2 - movement tamper alarm active 3 - button and movement tampers alarm active		
Default setting:	2	Parameter size:	1 [byte]
Parameter:	75. Alarms signalization duration		
Description:	The device is capable of automatically turning off alarm signalization after a certain amount of time. Long lasting alarm may reduce battery life, when constantly signalized. The parameter determines time after which alarm will become "quiet" - still active but the device will go into battery saving mode. Visual or acoustic alarm will be reactivated after time specified in the parameter 76. When alarm status ceases, alarm will be turned off immediately.		
Available settings:	0 - alarms active indefinitely 1-65535 - time in seconds		
Default setting:	0	Parameter size:	4 [bytes]
Parameter:	76. Alarm signalization reactivation period		
Description:	Parameter determines a time period after which an alarm will be turned back on (in case it was turned off by parameter 75 setting). It will also resend commands to 2nd and 3rd association groups as if the alarm was detected again.		
Available settings:	0 - alarm reactivation inactive 1-65535 - time in seconds		
Default setting:	0	Parameter size:	4 [bytes]
Parameter:	77. Flood sensor functionality turned off		
Description:	Allows to turn off the internal flood sensor. Tamper and built in temperature sensor will remain active.		
Available settings:	0 - Default flood sensor operation (flood detection, reactions) 1 - Built-in flood sensor TURNED OFF (does not change its state in the main controller, does not send alarm notifications nor turn on/off commands to 2nd/3rd association groups with flood state changes. Always visible in the main controller as turned off)		
Default setting:	0	Parameter size:	1 [byte]
Parameter:	78. Associations in Z-Wave network security mode		
Description:	This parameter defines how commands are sent in specified association groups: as secure or non-secure. Parameter is active only in Z-Wave network security mode. It does not apply to 1st "Lifeline" group.		
Available settings:	0 - none of the groups sent as secure 1 - 2nd group "Control" sent as secure 2 - 3rd group "Alarm" sent as secure 4 - 4th group "Tamper" sent as secure		
Default setting:	7	Parameter size:	1 [byte]

**Notes:**

The main controller interprets colours as a sum of its component colours value. Each colours value is a number from 0 to 255.  
 Indicated colour = 65536 \* RED + 256 \* GREEN + BLUE:

<b>Table A3 - RGB color values for Parameters 61 and 62</b>	
<b>Colour</b>	<b>Decimal value</b>
Red	16711680
Green	65280
Blue	255
Yellow	16776960
Turquoise	65535
Orange	16750848
White	16777215
Indicator turned off	0

## 12 TECHNICAL SPECIFICATIONS

The product Flood-Control is produced by Nice S.p.A. (TV). Warnings: - All technical specifications stated in this section refer to an ambient temperature of 20 °C (± 5 °C) - Nice S.p.A. reserves the right to apply modifications to the product at any time when deemed necessary, while maintaining the same functionalities and intended use.

<b>Flood-Control</b>	
Power supply:	Battery and/or power supply unit
Battery type:	3V, CR123A
Supply type:	12–24V DC, LPS or NEC class 2
Power consumption (at DC operation):	0.4W
Maximum voltage at output terminals (ALARM NC, TAMP NC):	24V DC / 20V AC
Output terminals maximum current carrying capacity:	25mA
Operating temperature:	0–40°C
Measured temperature range:	-20–100°C
Temperature measuring accuracy:	0.5°C (within 0–40°C range)
Dimensions (Diameter x Height):	72 x 28 mm

- Radio frequency of individual device must be same as your Z-Wave controller. Check information on the box or consult your dealer if you are not sure.
- Using batteries other than specified may result in explosion. Dispose of properly, observing environmental protection rules.
- This product is intended to be supplied by a certified Power Supply Unit marked “Class 2” or “LPS” and rated from 12V DC to 24V DC.

<b>Radio transceiver</b>	
Radio protocol	Z-Wave (500 series chip)
Frequency band	868.4 or 869.8 MHz EU 921.4 or 919.8 MHz ANZ
Transceiver range	up to 50m outdoors up to 40m indoors (depending on terrain and building structure)
Max. transmit power	-5dBm

(\* The transceiver range is strongly influenced by other devices operating at the same frequency with continuous transmission, such as alarms and radio headphones which interfere with the control unit transceiver.

## 13 PRODUCT DISPOSAL

This product is an integral part of the automation and therefore must be disposed together with the latter.

As in installation, also at the end of product lifetime, the disassembly and scrapping operations must be performed by qualified personnel. This product is made of various types of material, some of which can be recycled while others must be scrapped. Seek information on the recycling and disposal systems envisaged by the local regulations in your area for this product category.

**Caution!** – some parts of the product may contain pollutant or hazardous substances which, if disposed of into the environment, may cause serious damage to the environment or physical health.

As indicated by the symbol alongside, disposal of this product in domestic waste is strictly prohibited. Separate the waste into categories for disposal, according to the methods envisaged by current legislation in your area, or return the product to the retailer when purchasing a new version.

**Caution!** – local legislation may envisage serious fines in the event of abusive disposal of this product.



## 14 DECLARATION OF CONFORMITY

Hereby, Nice S.p.A., declares that the radio equipment type Flood-Control is in compliance with Directive 2014/53/EU.

The full text of the EU declaration of conformity is available at the following internet address: <http://www.niceforyou.com/en/support>



**Nice SpA**  
Oderzo TV Italia  
info@niceforyou.com

[www.niceforyou.com](http://www.niceforyou.com)